

## ► Brunata single-jet water meter, type BLZ

Single-jet mixer tap meter for cold and hot utility water

### Characteristics

- Single-jet utility water meter for mixer tap
- A standard water meter in “special fittings”
- Easy-to-read, mechanical counter (can be rotated 360 °)
- Nickered measuring chamber
- Suitable for use with cold water up to 30°
- Suitable for use with hot water up to 90°
- No changes are needed in the piping arrangement for installation
- Display reading in cubic metres (3 decimals)
- Pulse outlet for remote reading is optional
- Approved according to EEC, verified
- Approval class: B



### Further information

The BLZ is a single-jet impeller meter in completely dry-running design with magnetic coupling designed especially for use in connection with mixer taps (must be installed on the back of the mixer tap). The counter of the meter has been evacuated to avoid condensation.

BLZ is available for the metering of cold and hot water respectively. If for instance only metering of hot water consumption is of interest a spacing fitting is available for installation on the cold water side.

Using standard meter in special fittings is more cost-effective when the meter is replaced for re-verification.

Type	Article no
Cold-water meter	
BLZ-K	19-7260-H
Hot-water meter	
BLZ-V	19-7250-H
Cold-water meter, 10 litres/pulse	
BLZ-K10-K	19-7261-H
Hot-water meter, 10 litres/pulse	
BLZ-K10-V	19-7251-H
Spacing fitting, when installing only one meter	
BLZ-A	19-7255-H
Cold- and hot-water meter	
BLZ-K/BLZ-V	19-7260-H
	19-7250-H

*Brunata is a 100 % Danish owned company. We have more than 85 years of experience within the development and production of heat cost allocators, heat meters and heating accounts. Brunata has implemented a quality system in accordance with EN ISO 9001. Please contact us for further information on our products.*

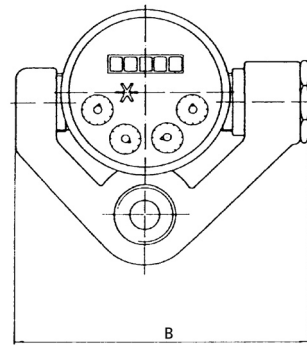
## Technical data

Type				BLZ
Nominal flow rate		$q_n$	m <sup>3</sup> /h	1,5
Maximum flow rate	Transitory	$q_{max}$	m <sup>3</sup> /h	3,0
Transition flow rate		$q_t$	l/h	120
Minimum flow rate		$q_{min}$	l/h	30
EU accuracy class				B
Accuracy of measurement	Verification limits	$q_{min}-q_t$		± 5 %
		$q_t-q_{max}$		± 2 %
Max temperature	Cold-water meter	Class B		30 °C
	Hot-water meter	Class B		90 °C
Pressure class			Bar	PN10
Pulse output	Passive reed switch	Liter/pulse		10

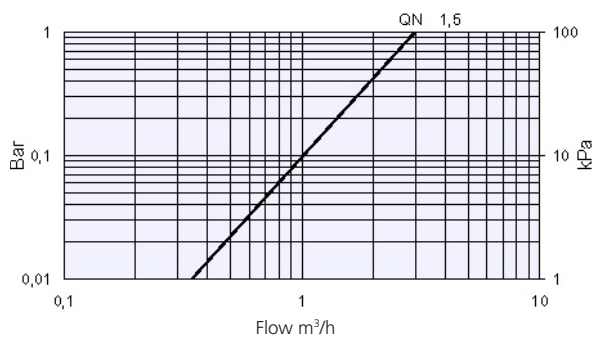
## Dimensions

Type				BLZ
Length	L	mm		84
	L <sub>2</sub>	mm		56
Width	B	mm		129
Height	H	mm		115
Connecting thread	Meter	Inches		G3/4B
	Fittings	Inches		G3/4B

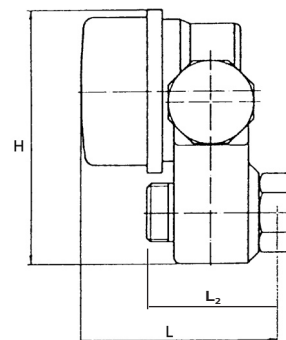
## Dimensional outline



## Head loss graph



The head loss curve is valid for a meter without fittings



Please note that Brunata makes reservations against operation errors due to lime or blocking of the water meter. Brunata recommends the installation of a filter ball valve before the meter.