



WATER METER

BRUNATA MINOMESS BATH TUB METER

HIGH QUALITY SINGLE JET WATER METER WITH A WATER-TIGHT BUILT-IN RADIO MODULE

PROPERTIES

Brunata Minomess Bath Tub is more than a reliable water meter for measuring the consumption of hot and cold water in a property - it is also equipped with a built-in radio module for remote readings. With a watertight design, the meter is suitable for installations where water pipes emerge from the wall and where consumption is measured on a mixing tap.

The meter's great accuracy ensures that the entire consumption is measured and that residents are guaranteed a fair and correct allocation of their consumption, while contributing to reduce the water wastage at the property.

FUNCTIONS

- Single jet impeller meter
- Low start flow and flow pressure loss
- Compact design
- Rotatable calculator
- Shielded against magnetic fields in accordance with VDDW standard and EN 14154-3

READING OPTIONS

The meter has an in-built radio module, which enables the meter to be read remotely via Brunata Net, which is a radio network that can be set up in all types of buildings. With Brunata Net you are able to access your meters and monitor measurement data via WebMon, which is part of Brunata's Online Services. WebMon allows both residents and the administrator to monitor the development of consumption and consumption patterns.



WHY

- Ensure that residents only pay for their own actual water consumption
- Watertight design
- Brunata takes care of all the work while you save time
- Monitor the property's water consumption online
- Get your property ready for the legal requirements and technical standards of the future

FACTS

- MID approved
- Electronic water meter that transmits data every 24. hours (LoRaWAN) or every 3. minute (w-MBus)
- Single jet impeller meter
- Available as a hot- and a cold water meter
- The meter can be installed horizontally and vertically, and on both riser pipes and down pipes
- The meter meets the Energy Efficiency Directive's (EED) requirement for remote



WATER METER

BRUNATA MINOMESS BATH TUB METER



APPROVAL

BRUNATA MINOMESS BATH TUB METER

Approvals

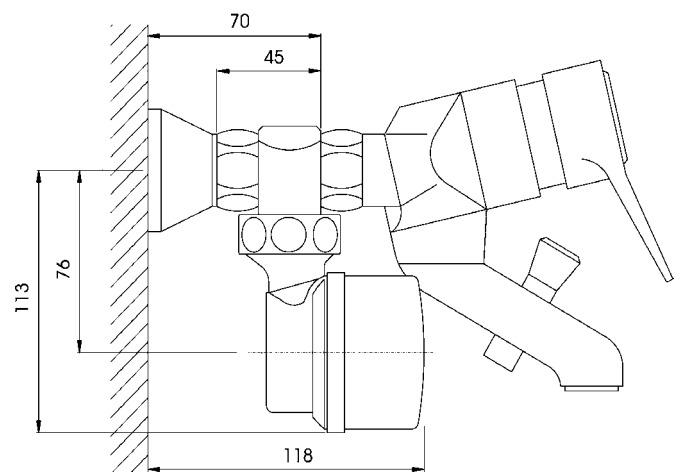
DE-07-MI001-PTB010,
OIML R49, EN 14154

GENERAL

BRUNATA MINOMESS BATH TUB METER

| | |
|-------------------------------------|-----------------|
| Temperature range (cold water) | 1 ... 30 °C |
| Temperature range (hot water) | 30 ... 90 °C |
| Max. pressure | 10 bar |
| Dynamic range (Q_3/Q_1) | R 40 H / R 40 V |
| Ambient temperature when in storage | 5 ... 55 °C |
| Ambient temperature when in use | 5 ... 55 °C |
| Battery lifetime | Up to 10 years |

DIMENSIONER BATH TUB METER



TECHICAL DATA

BRUNATA MINOMESS BATH TUB METER

| | |
|--------------------|----------------|
| Rated voltage | DC 3 V |
| Transmission power | Typical 14 dBm |
| Total length | 44 mm |

COMMUNICATION

LoRaWAN or w-MBus

| | |
|------------------------|---|
| Frequency | 868 MHz |
| Radio telegramtype | LoRaWAN w-MBus |
| Transmission frequency | Every 24. hours (LoRaWAN) Every 3. minute (w-MBus) |