



WATER METER

BRUNATA MINOMESS VALVE METER

HIGH-QUALITY WATER METER WITH WATERTIGHT BUILT-IN RADIO MODULE FOR INSTALLATION INTO EXISTING CUT-OFF VALVES

PROPERTIES AND FUNCTIONS

Brunata Minomess valve meter is a reliable water meter for measuring the consumption of hot and cold water in a building.

With great accuracy, the water meter can measure very low flows, which can ensure that the entire consumption is measured. This means that you can guarantee your residents a fair and correct allocation of their consumption, while contributing to reduce the water wastage at the property.

REMOTE READINGS

Brunata Minomess valve meter has a built in radio module that enables the meter to be read remotely, and that can be read via Brunata Net. Brunata Net is a radio network that can be set up in all types of properties.

With Brunata Net you can, as the property administrator, gain access to monitor measurement data via Brunata Online. Brunata Online allows both residents and the administrator to monitor the development of consumption and consumption patterns.

FUNCTIONS

- Single-jet impeller meter
- Low start flow and low pressure loss
- Compact design
- Rotatable calculator
- Shielded against static magnetic fields in accordance with the VDDW standard and EN 14154-3



WHY

- **Watertight design**
- **Ensure that residents only pay for their own actual water consumption**
- **Monitor the property's water consumption online**
- **Get your property ready for the legal requirements and technical standards of the future**

FACTS

- **MID-approved**
- **Water meter with a built-in radio module that transmits data every 24 hours (LoRaWAN) or every 3. minute (wM-Bus)**
- **Available as a hot water meter and cold water meter**
- **The meter can be installed without damaging tiles and walls**
- **The meter can be connected to Brunata Net and thus be monitored via Brunata Online**
- **The meter meets the Energy Efficiency Directive's (EED) requirement for remote reading**



APPROVAL

BRUNATA MINOMESS VALVE METER

Approval	DE-07-MI001-PTB010, OIML R49, EN 14154
----------	---

GENERAL

BRUNATA MINOMESS VALVE METER

Temperature range (cold water)	1 ... 30 °C
Temperature range (hot water)	30 ... 90 °C
Max. pressure	10 bar
Dynamic range (Q_3/Q_1)	R 40 H / R 40 V
Ambient temperature during storage	5 ... 55 °C
Ambient temperature during usage	5 ... 55 °C
Battery lifetime	Up to 10 years
Protection class	IP 68
Length	93 mm
Weight	0,44 kg

COMMUNICATION

BRUNATA MINOMESS VALVE METER

Frequency band	868 MHz
Radiotelegram type	LoRaWAN wM-Bus
Transmission frequency	Every 24 hours (LoRaWAN) Every 3. minute (wM-Bus)

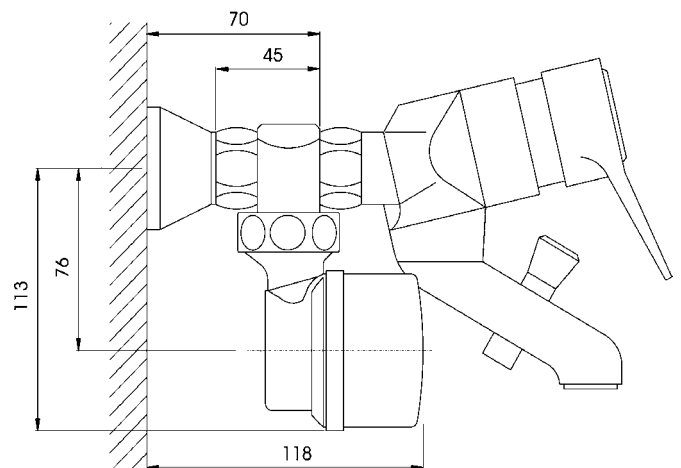
TECHNICAL DATA

BRUNATA MINOMESS VALVE METER

Rated voltage	DC 3 V
Transmission power	Typisk 14 dBm
Permanent flow	Q_3 2,5 m ³ /h
Overload flow	Q_4 3,125 m ³ /h
Minimum flow	Q_1 62,5 l/h
Connection set	Extension 22 mm
Rosette	Ø 65 mm, chrome

DIMENSIONS

BRUNATA MINOMESS VALVEMETER



BRUNATA MINOMESS Valve METER

Size	½"	¾"	1"	1¼"
Thread	G ½	G ¾	G 1	G 1¼
Seat depth	21.5 ± 1.5	25.5 ± 1.5	30 ± 1.5	35 ± 1.5
VZ8 fits in the seat depth	19 to 35	20 to 34	See above	See above