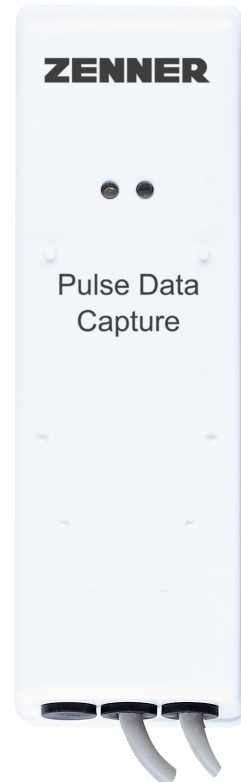


PDC-communication module

Communication module with wireless M-Bus interface to connect meters with pulse output

The Pulse Data Capture (PDC) communication module with wireless M-Bus interface integrates pulse output meters into wireless M-Bus readout systems.

This allows wireless transfer of consumption data from water, heat, gas, or electricity meters to wireless M-Bus networks. Depending on the version, transmission interval and ambient conditions, the module achieves a battery lifetime of up to 10 years.



Performance characteristics at a glance

- Composite housing with wall mounting bracket
- Battery operation
- Protection class IP68
- Optical interface for configuration purposes

Smart Metering functions

- Self-monitoring
- Leakage detection
- Meter Stop detection
- Meter oversized detection
- Meter undersized respectively pipe burst detection

Variants

- Variant with two channels available for connection of two pulse output meters

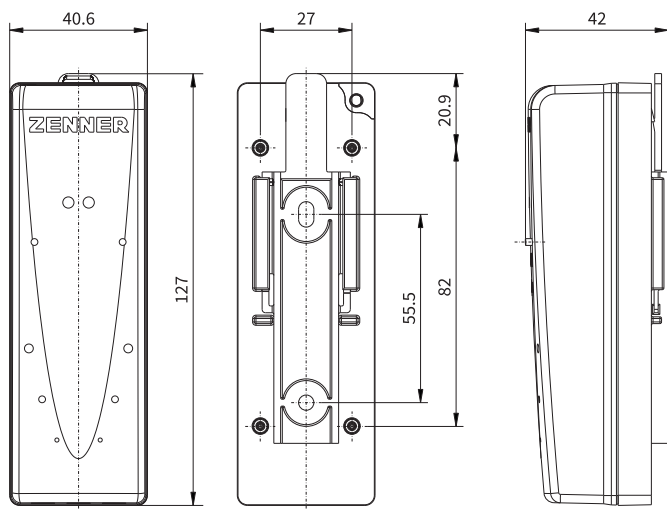
PDC-Kommunikationsmodul

Technical data wireless M-Bus-radio module

Operating frequency	868 MHz
Transmission power	approx. 14 dBm, 25 mW
Duration of transmission telegrams	≥ 1 ms
Transmission interval	Standard: 40s; other scenarios on request
Data transmission procedure	Wireless M-Bus (standard: T1 mode), others on request
Encryption of radio protocols	yes
Error detection	CRC
Optical interface	yes
Energy supply	Lithium battery
Battery life	between 6 and 10 years plus reserve, depending on the selected transmission scenario, occupied input channels and ambient conditions
Battery status monitoring	yes
Display	no
Protection class	IP68
Ambient conditions	10 °C to +40 °C; -15 °C to +60 °C (for short time)
CE conformity	according to directive 2014/53/EU (RED)
Activation of the radio interface	using MinoConnect Set, Zenner opto head and MSS configuration software; Autostart after receiving 10 pulses

Datalogger (readable via optical IrDA interface)

Annual due date values	4
Monthly values	18 plus 18 half-monthly values
Daily values	96
Quarter-hour values	96



Dimensions

Telegram content	Typ A*	Typ B*	Typ C**
Current value	✓	✓	✓
Current date	✓	✓	
Due date values		✓	✓
Current value	✓	✓	✓
Another 11 monthly values	✓		
Status information 1	✓	✓	✓
Status information 2	✓	✓	✓

* Data telegram according DIN EN 13757-4

** wM-Bus, manufacturer specific data telegram

ZENNER International GmbH & Co. KG

Heinrich-Barth-Straße 29 | 66115 Saarbrücken | Germany

Phone +49 681 99 676-30
Fax +49 681 99 676-3100

E-Mail
Internet

info@zenner.com
www.zenner.com